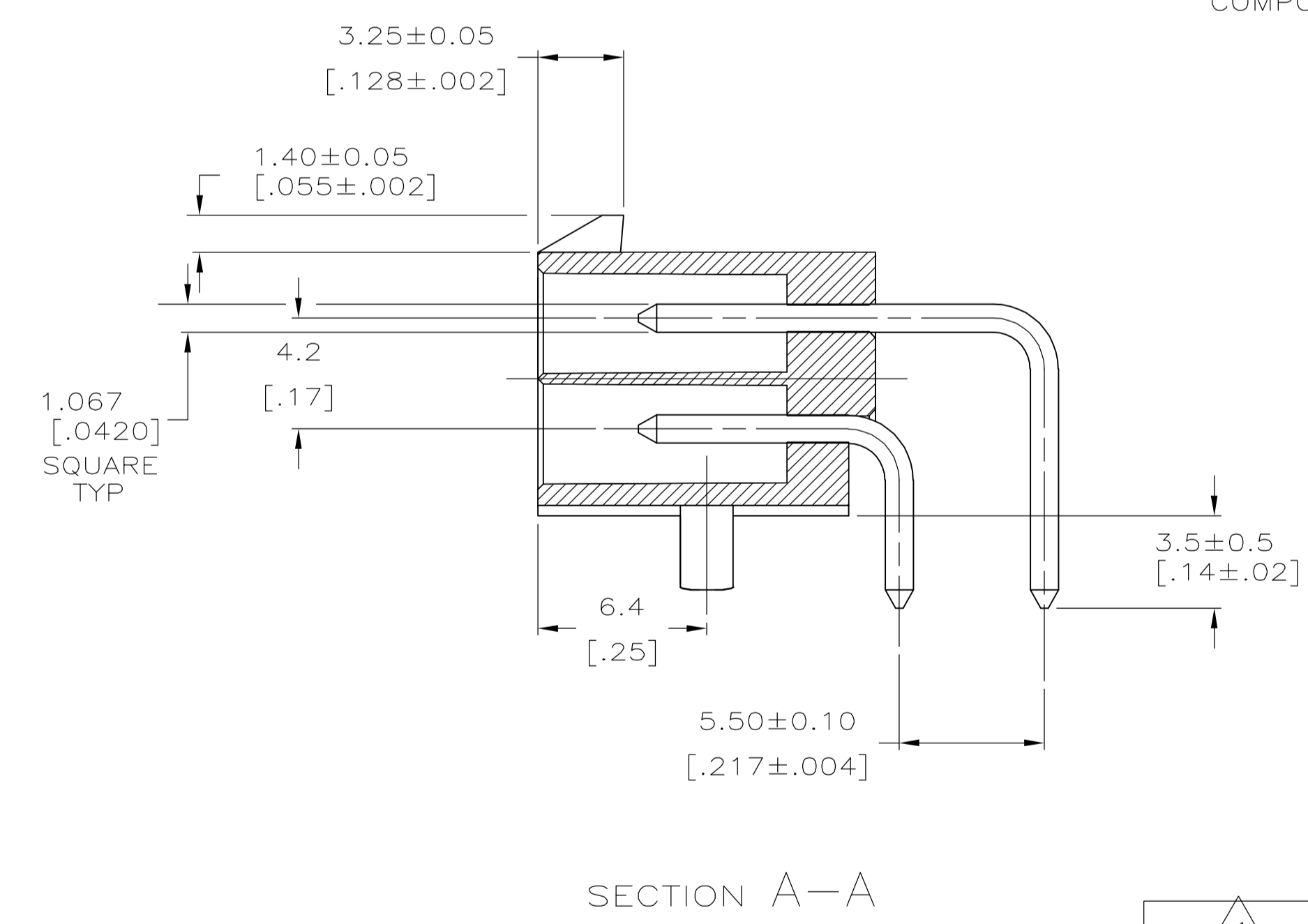
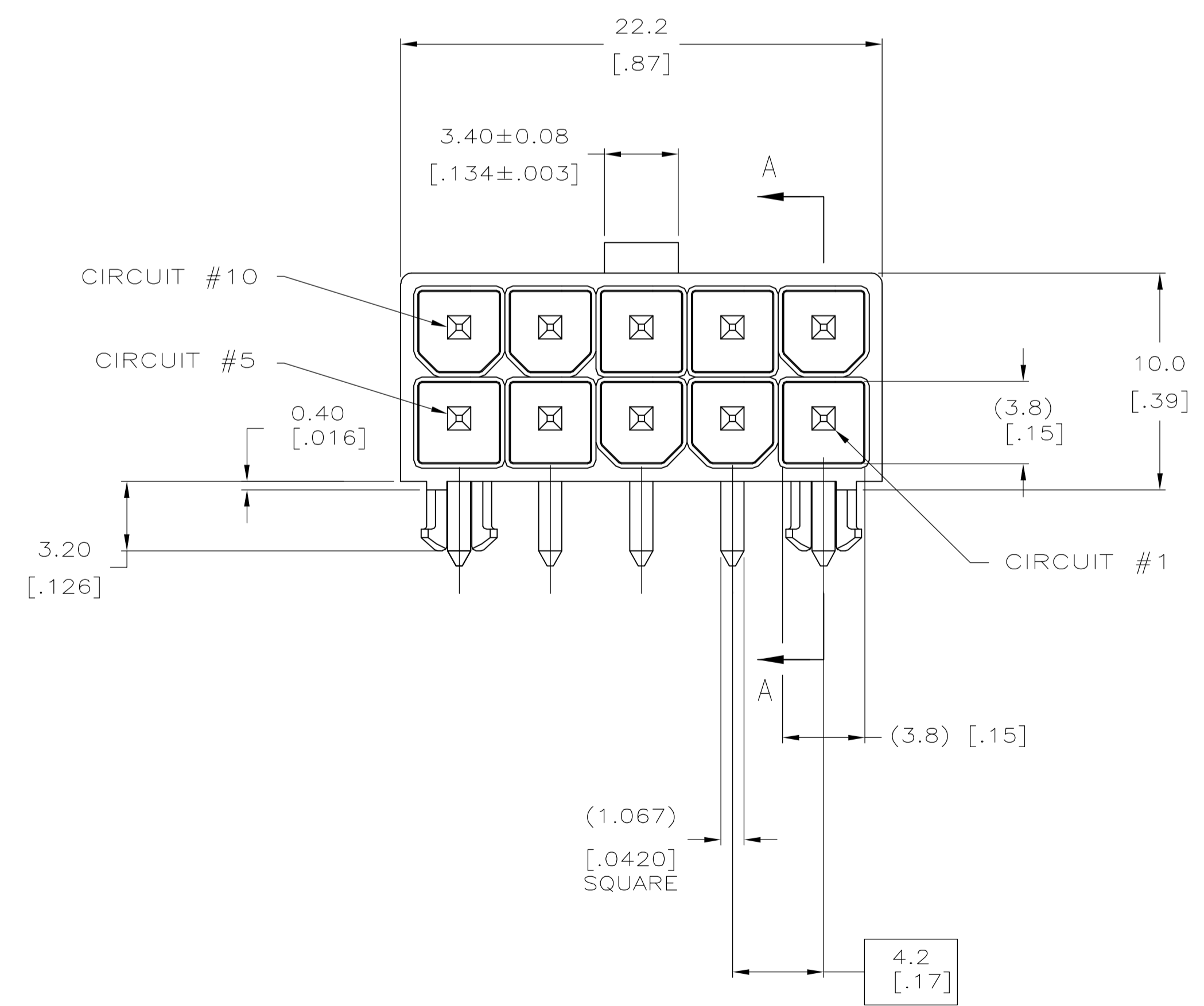
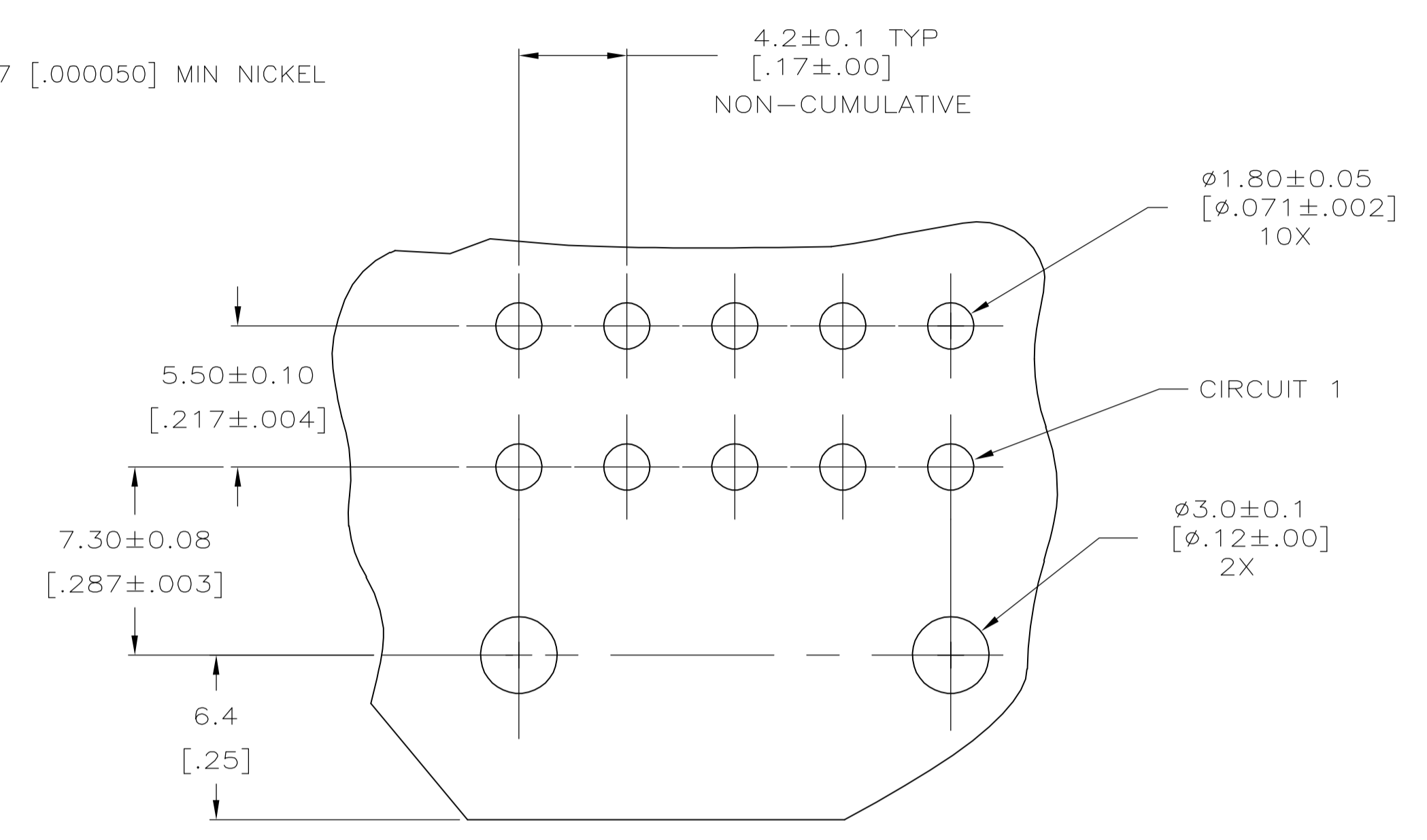
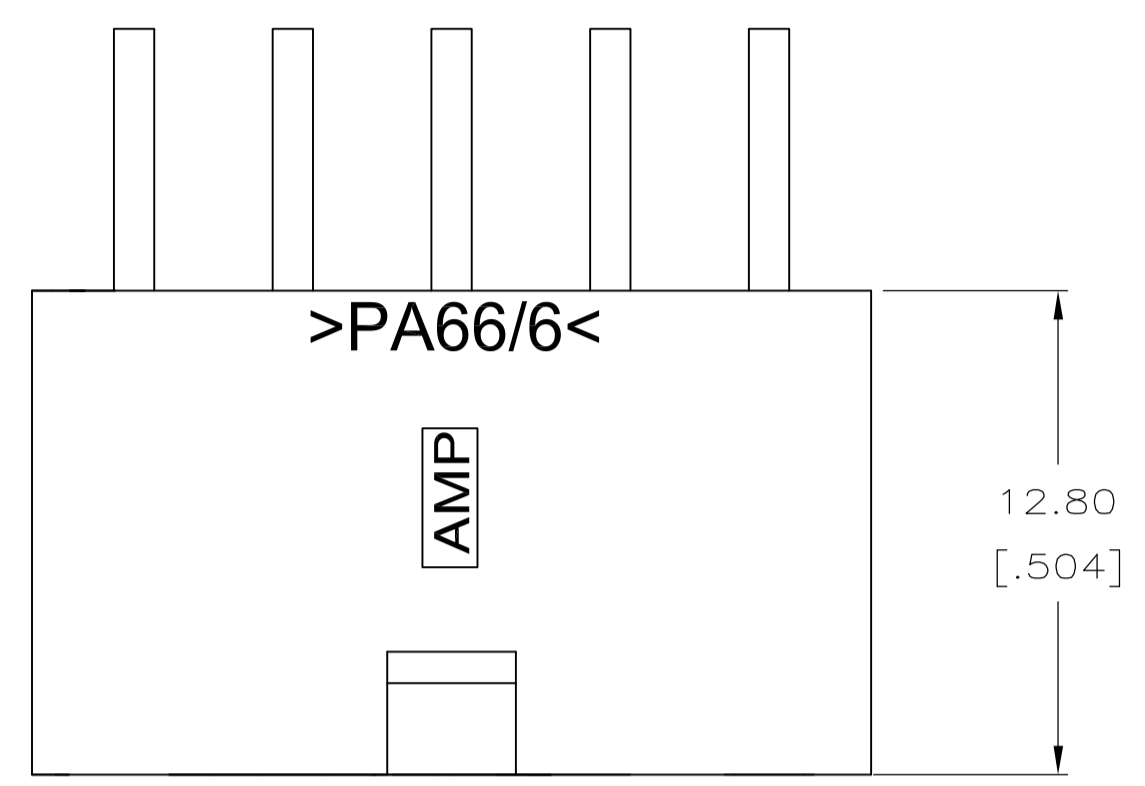


- △ MATERIAL: HOUSING-NYLON, UL94V-0 (COLOR - WHITE).
PINS-1.067mm² [.0016in²] COPPER ALLOY.
- 2. PINS TO COMPLY WITH AMP SOLDERABILITY SPEC 109-11-3.
- △ 0.00381 [.000150] MIN TIN LEAD OVER 0.00127 [.000050] MIN NICKEL ENTIRE LENGTH OF PIN.
- △ NOTE DELETED.
- △ 0.00381 [.000150] MIN TIN OVER 0.00127 [.000050] MIN NICKEL ENTIRE LENGTH OF PIN.



SUPERSEDED BY 1-794530-1

△ 1	△ 5	△ 1	△ 1	1-794530-1
△ 1	△ 3	△ 1	△ 1	794530-1
MATERIAL PIN		HOUSING		PART NO

METRIC

THIS DRAWING IS A CONTROLLED DOCUMENT.

DIMENSIONS: mm [INCHES]	TOLERANCES UNLESS OTHERWISE SPECIFIED:	DIN S. HOOVER 04-OCT-2004	tyco Tyco Electronics Corporation Harrisburg, Pa 17105-3608
0 PLC ±	1 PLC ±	CHK D. COLEY 04-OCT-2004	NAME D. COLEY
2 PLC ± 0.13 [.005]	3 PLC ±	APVD D. COLEY 04-OCT-2004	PRODUCT SPEC
4 PLC ±	ANGLES ± 0.30°	APPLICATION SPEC	SIZE CAGE CODE DRAWING NO
MATERIAL	FINISH	WEIGHT	A1 00779 C=794530
CUSTOMER DRAWING		SCALE 5:1	SHEET 1 OF 1 REV F